

# LINKEO



ENCLOSURES TO FIT YOUR SCS  
INSTALLATIONS AND BUDGET

EDITION  
**2018**

GLOBAL SPECIALIST IN ELECTRICAL AND DIGITAL  
BUILDING INFRASTRUCTURES

 **legrand**<sup>®</sup>

# 19" Freestanding cabinets

## LINKEO



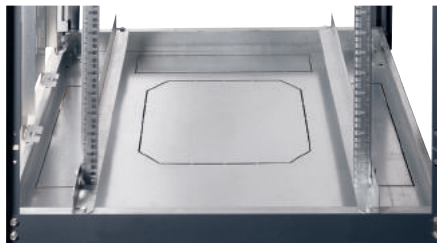
### A complete solution for commercial sector requirements

The LINKEO 19" enclosures have been designed to be easy to install and totally functional. With the wide range of accessories that can be used with LINKEO enclosures, you have the benefit of a complete offer to meet the requirements of all your projects.

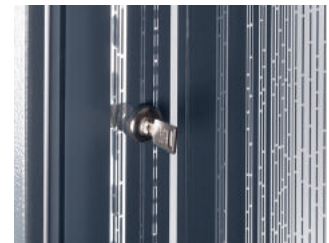




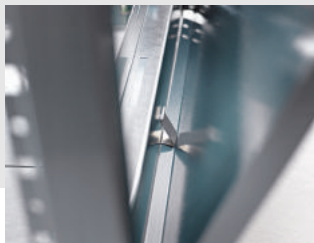
**1** 19" uprights with U marking and adjustable in depth



**2** Pre-cut top and bottom cable entries  
Cut-out on the roof for fan kits



**3** Full glass door (reversible) with screen printing for perfect aesthetics



**4** Removable side and rear panels with automatic grounding



**5** Vertical cable guide (side and rear mount) and PDU support as option



- Equipped with levelling feet
- Can be linked using baying kit
- 2 delivery options :  
mounted or flatpack

# Linkeo 19" freestanding cabinets

cabinets and equipment



6 467 64



6 464 03



6 464 30



Technical characteristics p. 10

Pack	Cat.Nos	Linkeo 19" cabinets																																																																												
		<p>IP 20 – IK 08 baying cabinets                      Reversible front glass door with screen printing                      Removable side and rear panels                      Panels with automatic equipotential connection                      4 sides locked with key lock                      Equipped with 2 x 19" uprights with U marking and adjustable in depth                      Pre-cut cable entries (top and bottom)                      To be fitted with brush cable entry Cat.No 6 464 28                      Cut-out at the top for fan kit                      Equipped with levelling feet                      Loading capacity: 400 kg                      Anthracite grey RAL 7016</p> <p><b>Single front glass door</b></p> <table border="1"> <thead> <tr> <th>Capacity</th> <th>Height (mm)</th> <th>Width (mm)</th> <th>Depth (mm)</th> </tr> </thead> <tbody> <tr><td>24 U</td><td>1226</td><td>600</td><td>600</td></tr> <tr><td>24 U</td><td>1226</td><td>800</td><td>800</td></tr> <tr><td>33 U</td><td>1626</td><td>600</td><td>600</td></tr> <tr><td>33 U</td><td>1626</td><td>800</td><td>800</td></tr> <tr><td>42 U</td><td>2026</td><td>600</td><td>600</td></tr> <tr><td>42 U</td><td>2026</td><td>600</td><td>800</td></tr> <tr><td>42 U</td><td>2026</td><td>600</td><td>1000</td></tr> <tr><td>42 U</td><td>2026</td><td>800</td><td>600</td></tr> <tr><td>42 U</td><td>2026</td><td>800</td><td>800</td></tr> <tr><td>42 U</td><td>2026</td><td>800</td><td>1000</td></tr> <tr><td>47 U</td><td>2248</td><td>800</td><td>800</td></tr> <tr><td>47 U</td><td>2248</td><td>800</td><td>1000</td></tr> </tbody> </table> <p><b>Extension cabinets with single glass door</b>                      No side panels                      Supplied with baying kit</p> <table border="1"> <thead> <tr> <th>Capacity</th> <th>Height (mm)</th> <th>Width (mm)</th> <th>Depth (mm)</th> </tr> </thead> <tbody> <tr><td>42 U</td><td>2026</td><td>800</td><td>800</td></tr> </tbody> </table> <p><b>Double front glass door</b></p> <table border="1"> <thead> <tr> <th>Capacity</th> <th>Height (mm)</th> <th>Width (mm)</th> <th>Depth (mm)</th> </tr> </thead> <tbody> <tr><td>42 U</td><td>2026</td><td>800</td><td>600</td></tr> <tr><td>42 U</td><td>2026</td><td>800</td><td>800</td></tr> <tr><td>42 U</td><td>2026</td><td>800</td><td>1000</td></tr> </tbody> </table>	Capacity	Height (mm)	Width (mm)	Depth (mm)	24 U	1226	600	600	24 U	1226	800	800	33 U	1626	600	600	33 U	1626	800	800	42 U	2026	600	600	42 U	2026	600	800	42 U	2026	600	1000	42 U	2026	800	600	42 U	2026	800	800	42 U	2026	800	1000	47 U	2248	800	800	47 U	2248	800	1000	Capacity	Height (mm)	Width (mm)	Depth (mm)	42 U	2026	800	800	Capacity	Height (mm)	Width (mm)	Depth (mm)	42 U	2026	800	600	42 U	2026	800	800	42 U	2026	800	1000
Capacity	Height (mm)	Width (mm)	Depth (mm)																																																																											
24 U	1226	600	600																																																																											
24 U	1226	800	800																																																																											
33 U	1626	600	600																																																																											
33 U	1626	800	800																																																																											
42 U	2026	600	600																																																																											
42 U	2026	600	800																																																																											
42 U	2026	600	1000																																																																											
42 U	2026	800	600																																																																											
42 U	2026	800	800																																																																											
42 U	2026	800	1000																																																																											
47 U	2248	800	800																																																																											
47 U	2248	800	1000																																																																											
Capacity	Height (mm)	Width (mm)	Depth (mm)																																																																											
42 U	2026	800	800																																																																											
Capacity	Height (mm)	Width (mm)	Depth (mm)																																																																											
42 U	2026	800	600																																																																											
42 U	2026	800	800																																																																											
42 U	2026	800	1000																																																																											
1	6 467 50   6 467 75	Ready-assembled																																																																												
1	6 467 51   6 467 76	Flatpack																																																																												
1	6 467 55   6 467 80																																																																													
1	6 467 56   6 467 81																																																																													
1	6 467 60   6 467 85																																																																													
1	6 467 61   6 467 86																																																																													
1	6 467 62   6 467 87																																																																													
1	6 467 63   6 467 88																																																																													
1	6 467 64   6 467 89																																																																													
1	6 467 65   6 467 90																																																																													
1	6 467 73   6 467 98																																																																													
1	6 467 74   6 467 99																																																																													
1	6 467 70   6 467 95																																																																													
1	6 463 37	<b>Linkeo baying kits</b> For joining 2 Linkeo 19" cabinets																																																																												
1	6 463 40	<b>Linkeo 19" uprights</b> Set of 2 additional 19" uprights																																																																												
1	6 463 41	24 U																																																																												
1	6 463 42	33 U																																																																												
1	6 463 43	42 U																																																																												

Pack	Cat.Nos	Linkeo plinths																																													
		<p>Metal plinths consisting of 4 corner blocks and 4 removable traps                      Height 100 mm                      Anthracite grey RAL 7016                      For cabinets width x depth (mm):</p> <table border="1"> <tbody> <tr><td>1</td><td>6 464 00</td><td>600 x 600</td></tr> <tr><td>1</td><td>6 464 01</td><td>600 x 800 or 800 x 600</td></tr> <tr><td>1</td><td>6 464 02</td><td>600 x 1000</td></tr> <tr><td>1</td><td>6 464 03</td><td>800 x 800</td></tr> <tr><td>1</td><td>6 464 04</td><td>800 x 1000</td></tr> </tbody> </table> <p><b>Casters</b></p> <table border="1"> <tbody> <tr><td>1</td><td>0 464 82</td><td>Set of 4 pivoting casters, 2 of which have brakes Total loading capacity on the 4 casters: 500 kg</td></tr> </tbody> </table> <p><b>Linkeo fan kits</b></p> <table border="1"> <tbody> <tr><td>1</td><td>6 464 30</td><td>Integrated thermostat, adjustable from - 10 to 80°C 2.5 m cord with 2P+E plug, 230 V~ Anthracite grey RAL 7016 2 fans</td></tr> <tr><td>1</td><td>6 464 31</td><td>4 fans</td></tr> </tbody> </table> <p><b>Linkeo cable management</b></p> <p><b>Brush cable entry</b> To fit on top or bottom cabinet pre-cut cable entry Set of brush</p> <p><b>Vertical cable guides</b> Side or rear mounting on structure for cable bundles</p> <table border="1"> <tbody> <tr><td>1</td><td>6 464 20</td><td>For 33 U cabinet</td></tr> <tr><td>1</td><td>6 464 21</td><td>For 42 U cabinet</td></tr> <tr><td>1</td><td>6 464 22</td><td>For 47 U cabinet</td></tr> </tbody> </table> <p><b>Cable management rings</b> For cabinet width 800 mm. Fixes onto 19" uprights Usable dim.: 65 x 145 mm. Black RAL 9005 Set of 6 metal rings</p> <p><b>Vertical cable managers</b> Set of 2 vertical panels to manage cords at the front side and on the whole height of the cabinet Mounted on the side of 19" uprights Supplied with brush feedthroughs and fingers for cords management every single U</p> <table border="1"> <tbody> <tr><td>1</td><td>6 464 26</td><td>For 42 U 800 mm wide cabinets</td></tr> <tr><td>1</td><td>6 464 27</td><td>For 47 U 800 mm wide cabinets</td></tr> </tbody> </table> <p><b>PDU support</b> Vertical support for fixing to the rear side of the cabinet. For mounting vertically 19" and Zero-U PDU</p> <table border="1"> <tbody> <tr><td>1</td><td>6 464 15</td><td>For 42 U cabinets</td></tr> <tr><td>1</td><td>6 464 16</td><td>For 47 U cabinets</td></tr> </tbody> </table>	1	6 464 00	600 x 600	1	6 464 01	600 x 800 or 800 x 600	1	6 464 02	600 x 1000	1	6 464 03	800 x 800	1	6 464 04	800 x 1000	1	0 464 82	Set of 4 pivoting casters, 2 of which have brakes Total loading capacity on the 4 casters: 500 kg	1	6 464 30	Integrated thermostat, adjustable from - 10 to 80°C 2.5 m cord with 2P+E plug, 230 V~ Anthracite grey RAL 7016 2 fans	1	6 464 31	4 fans	1	6 464 20	For 33 U cabinet	1	6 464 21	For 42 U cabinet	1	6 464 22	For 47 U cabinet	1	6 464 26	For 42 U 800 mm wide cabinets	1	6 464 27	For 47 U 800 mm wide cabinets	1	6 464 15	For 42 U cabinets	1	6 464 16	For 47 U cabinets
1	6 464 00	600 x 600																																													
1	6 464 01	600 x 800 or 800 x 600																																													
1	6 464 02	600 x 1000																																													
1	6 464 03	800 x 800																																													
1	6 464 04	800 x 1000																																													
1	0 464 82	Set of 4 pivoting casters, 2 of which have brakes Total loading capacity on the 4 casters: 500 kg																																													
1	6 464 30	Integrated thermostat, adjustable from - 10 to 80°C 2.5 m cord with 2P+E plug, 230 V~ Anthracite grey RAL 7016 2 fans																																													
1	6 464 31	4 fans																																													
1	6 464 20	For 33 U cabinet																																													
1	6 464 21	For 42 U cabinet																																													
1	6 464 22	For 47 U cabinet																																													
1	6 464 26	For 42 U 800 mm wide cabinets																																													
1	6 464 27	For 47 U 800 mm wide cabinets																																													
1	6 464 15	For 42 U cabinets																																													
1	6 464 16	For 47 U cabinets																																													



## Linkeo 19" freestanding cabinets cabinets and equipment (continued)



6 465 06

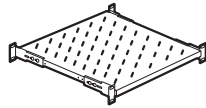


6 465 01

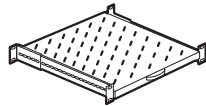


6 465 20

Pack	Cat.Nos	Linkeo fixed shelves
1	6 465 01	<b>Black RAL 9005</b> <b>Screw fixing on 2 x 19" uprights</b> Height 2 U. Max. load: 15 kg Shelf depth 200 mm Shelf depth 360 mm
1	6 465 02	
1	6 465 05	<b>Screw fixing on 4 x 19" uprights</b> Height 1 U Max. load: 50 kg Shelf depth 425 For depth 600 mm Shelf depth 625 For depth 800 mm Shelf depth 825 For depth 1000 mm
1	6 465 06	
1	6 465 07	
1	6 465 07	



Pack	Cat.Nos	Linkeo telescopic shelves
1	6 465 08	<b>Screw fixing on 4 x 19" uprights. Height 1 U</b> Max. load: 30 kg. Black RAL 9005 Shelf depth 425 For depth 600 mm Shelf depth 625 For depth 800 mm Shelf depth 825 For depth 1000 mm
1	6 465 09	
1	6 465 10	
1	6 465 10	



Pack	Cat.Nos	19" management panels
1	6 465 20	Fitted with cable guide rings 1 U 2 U
1	6 465 21	

## Linkeo 19" freestanding cabinets

### Flatpack solution

Easy to carry  
 Easy to store  
 Easy to handle  
 Easy to mount:  
 - 16 minutes / 1 person  
 - dedicated installation sheet

High protection packaging (stackable)

Nota:

- cabinets delivered flatpack are exactly the same as the mounted ones. The only difference is the packaging.



### Customization

1 Choose the size

Capacity	24 U	33 U	42 U	47 U
Width	600 or 800 mm			
Depth	600, 800 or 1000 mm			

2 Choose the color

Anthracite grey (RAL 7016) or light grey (RAL 7035)

3 Choose the openings



Front and rear options

#### Doors

- screen-printed glass  
 - microperforated metal  
 - solid metal  
 in single or double version

With or without side panels

4 Choose the equipments to mount at the factory

- cable managers  
 - fans  
 - plinths/casters  
 - shelves  
 - copper and fiber patch panels

# LINKEO 19"

## Wall-mounting cabinets

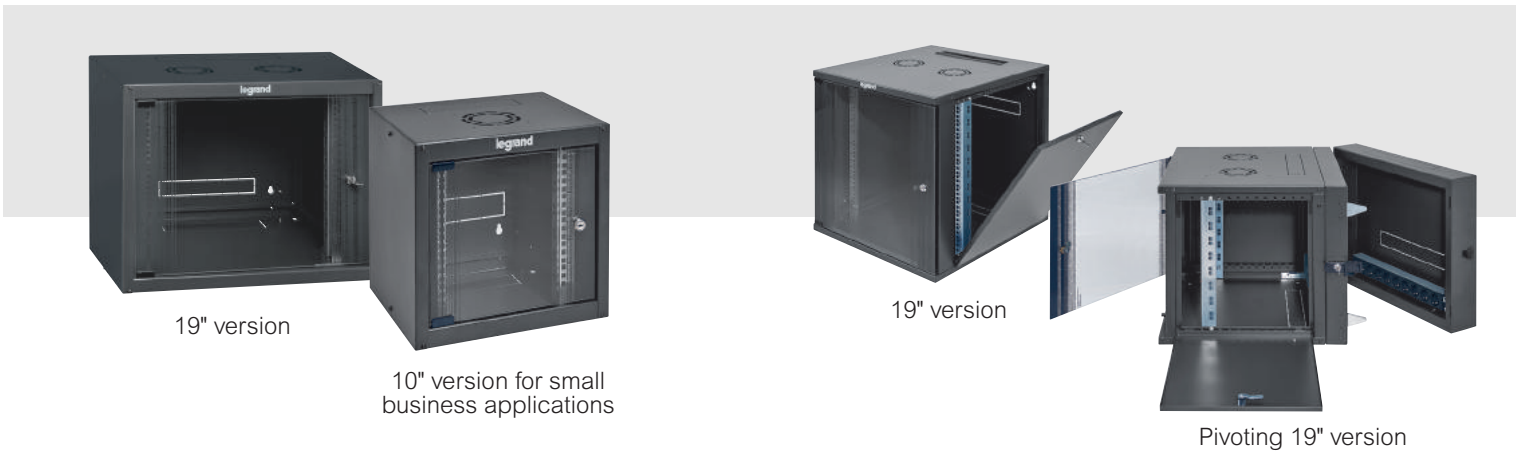
A full range !  
Choose your level of  
accessibility inside  
the cabinet





▶ **Fix side panels**

▶ **Removable side panels**



▶ **Common features**



- Reversible flat safety glass door with screen-printing and integrated lock



- Supplied with 2 x 19" uprights, adjustable in depth and with U marking  
- Additional 19" uprights as option



- Rear, top and bottom pre-cut cable entries to be equipped with brush (provided with the cabinet)  
- top perforations for natural ventilation (can be equipped with fan kit)

# Linkeo 19" and 10" wall-mounting cabinets



IP 20 - IK 08  
 Equipped with :  
 - 1 reversible door made of screen-printed safety glass and with integrated lock  
 - 2 x 19" uprights with U marking and adjustable in depth  
 - 3 pre-cut cable entries (top, bottom and rear)  
 - 1 brush for a cable entry  
 - top perforations for natural ventilation  
 - panels with automatic grounding (ready assembled version)  
 - supplied with earthing kit (flatpack version)  
 Anthracite grey RAL 7016

Pack	Cat.Nos		Linkeo fix 19" cabinets			
			<b>Fix side panels</b> Delivered ready-assembled			
	Depth 450 mm	Depth 600 mm	Capacity	Height (mm)	Width (mm)	Loading capacity (kg)
1	6 462 00	6 462 10	6 U	358	600	18
1	6 462 01	6 462 11	9 U	492	600	27
1	6 462 02	6 462 12	12 U	625	600	36
1	6 462 03	6 462 13	15 U	758	600	45
1	6 462 04	6 462 14	18 U	892	600	54
1	6 462 05	6 462 15	21 U	1035	600	63
			<b>Removable side panels</b> For easy access at the side of the cabinet Opening with a lock (same key as the door) Delivered flatpack			
	Depth 450 mm	Depth 600 mm	Capacity	Height (mm)	Width (mm)	Loading capacity (kg)
1	6 462 50	6 462 60	6 U	358	600	18
1	6 462 51	6 462 61	9 U	471	600	27
1	6 462 52	6 462 62	12 U	604	600	36
1	6 462 53	6 462 63	15 U	738	600	45
1	6 462 54	6 462 64	18 U	871	600	54
1	6 462 55	6 462 65	21 U	1004	600	63

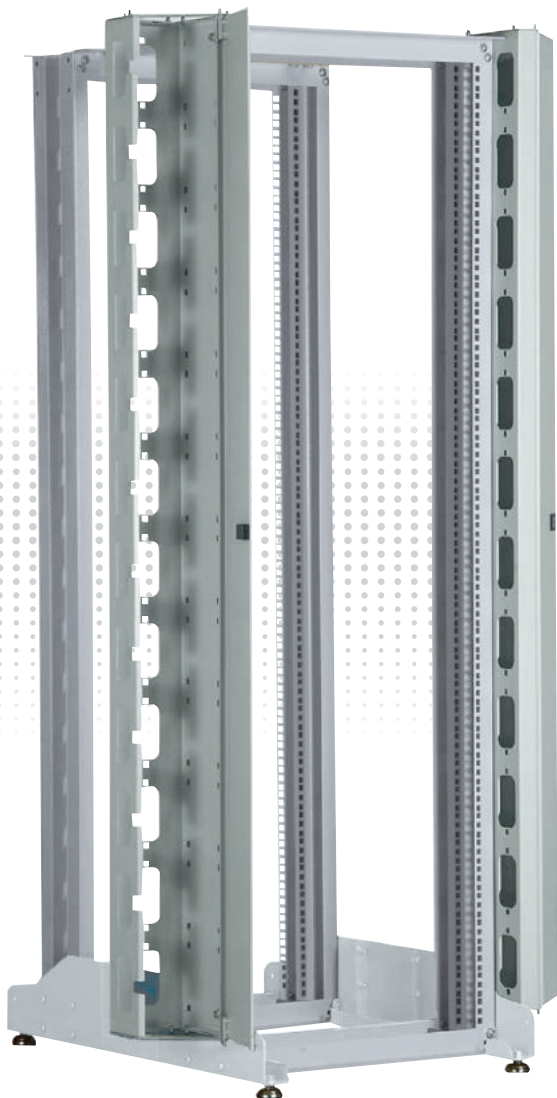
Pack	Depth 610 mm	Linkeo pivoting 19" cabinets			
		Cabinet composed of : - base (wall fixing), can accept 19" PDU - pivoting body allowing free access to the rear of the cabinet to facilitate installation and maintenance. Reversible pivoting direction. Delivered ready-assembled			
		Capacity	Height (mm)	Width (mm)	Loading capacity (kg)
1	6 462 21	9 U	471	600	27
1	6 462 22	12 U	604	600	36
1	6 462 23	15 U	738	600	45
1	6 462 24	18 U	871	600	54
1	6 462 25	21 U	1004	600	63

Pack	Cat.Nos		Equipments for 19" cabinets			
			<b>Linkeo 19" uprights</b> Set of 2 additional 19" uprights To install at the rear of the cabinet			
1	6 462 42		12 U			
1	6 462 43		15 U			
1	6 462 44		18 U			
1	6 462 45		21 U			
1	6 462 48		<b>Casters</b> Set of 4 caster wheels for assembly on cabinets			
1	6 462 38		<b>Linkeo fan kit</b> Kit contains: - 2 fans - 1 thermostat - ON/OFF switch Supplied with 2.3 m cable Power supply 230 V~ - 50/60 Hz			

Pack	Cat.Nos	Equipments for 19" cabinets (continued)				
		<b>Linkeo fixed shelves</b> Screw fixing on 2 x 19" uprights Height 2 U Max. load: 15 kg Black RAL 9005				
1	6 465 01	Shelf depth 200 mm For cabinets depth 400, 450 and 600 mm				
1	6 465 02	Shelf depth 360 mm For cabinets depth 450 and 600 mm				
		<b>19" management panels</b>				
1	6 465 20	1 U				
1	6 465 21	2 U				
		<b>Linkeo 10" cabinet</b> Compact cabinet suitable for small business applications Delivered ready-assembled				
1	6 462 30	Depth 300 mm	Capacity	Height (mm)	Width (mm)	Loading capacity (kg)
			6 U	358	370	18

Pack	Cat.Nos	Equipments for 10" cabinets			
1	0 335 92	Modular empty panel 10" panel - 1 U For up to 2 LCS <sup>2</sup> bloc units (copper or fiber) Supplied with screws and cage nuts			
1	0 462 23	Fixed shelf 1 U Depth 120 mm Max. load. 10 kg Black RAL 9005 Supplied with screws and cage nuts			
		<b>10" Power Distribution Units (PDU)</b> 230 V - 50/60 Hz power supply 1 U aluminium profile End cap with metallic brackets and cable holder shape Quick fixing (no screws) on 19" uprights With shutters and inclined at 55°			
1	6 468 01	4 x 2P+E outlets Black German standard 1 m power supply cord with 16 A 2P+E French/ German plug			
1	6 468 00	4 x 2P+E outlets Black French standard 1 m power supply cord with 16 A 2P+E French/German plug			
1	6 468 98	To be equipped with Mosaic wiring device modules Capacity: 8 Mosaic modules			

# 19" BATI-RACK



## 19" Bati-rack



### Technical characteristics p. 15

Pack	Cat.Nos	19" Bati-rack					
		For housing 19" equipment in an air conditioned, secure, dust-free environment Comprises 2 or 4 x 19" uprights With levelling feet The 4-upright bati-rack takes shelves for enclosures depth 800 mm Supplied ready for assembly RAL 7035					
1	0 463 95	Capacity	Height <sup>(1)</sup> (mm)	Width (mm)	Depth (mm)	Loading capacity (kg)	Number of uprights
1	0 463 96	42 U	1965	550	640	300	2
		42 U	1965	550	820	300	4
		<b>Cable management sleeve</b>					
		Closed vertical feedthrough Reversible door For fixing on the right or left on the 19" uprights RAL 7035 Sleeve					
1	0 463 97						
		<b>Roof</b>					
		Roof for 4-upright bati-rack 535 x 600 mm					
1	0 464 98						
		<b>Set of 4 casters</b>					
		For bati-rack Loading capacity on the 4 casters: 340 kg					
1	0 464 99						
		<b>Shelves</b>					
		Black RAL 9005 <b>Screw fixing on 2 x 19" uprights</b> Height 2 U Max. load: 15 kg					
1	6 465 01	Shelf depth 200 mm					
1	6 465 02	Shelf depth 360 mm					
		<b>Screw fixing on 4 x 19" uprights</b>					
		Height 1 U Fixed shelf depth 625 mm. Max load: 50 kg Telescopic shelf depth 625 mm. Max load: 30 kg					
1	6 465 06						
1	6 465 09						
		<b>19" management panels</b>					
		Fitted with cable guide rings 1 U 2 U					
1	6 465 20						
1	6 465 21						



► Full access to the wiring

► Takes cable management sleeves for a perfect finish

# Linkeo 19" freestanding cabinets

## General characteristics

Metallic extendable freestanding cabinets  
 RAL 7016 textured polyester coating providing excellent resistance to corrosion and scratching  
 Reversible single or double front glass door with screen-printing  
 Protection index (weatherproof) against solid objects and liquids: IP 20  
 Protection index against mechanical impacts: IK 08  
 Perforations in 19" uprights: 9.5 x 9.5 mm  
 Permissible load: 400 kg

## Compliance with standards

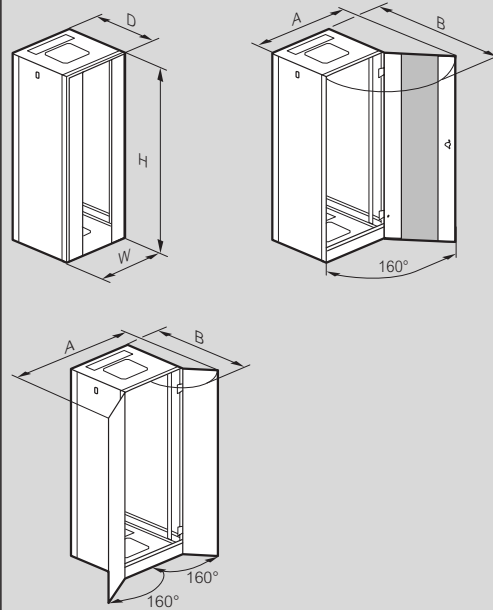
Linkeo cabinets comply with the following standards:

<b>IEC 60529 EN 60529</b>	(NF C 20-010) Degrees of protection provided by enclosures (IP code)
<b>IEC 62262 EN 62262</b>	(NF EN 50102, NF C 20-015) Degrees of protection provided by enclosures for electrical equipment against external mechanical impacts (IK code)
<b>IEC 60950-1 EN 60950-1 C 77-210-1</b>	Safety of data processing equipment
<b>EIA-310-E</b>	Cabinets, racks, panels and associated equipment (ANSI/EIA/310-E-2005)
<b>IEC 60297-3-100 DIN 41414-7</b>	(NF C 20-150, NF C 20-151) Dimensions of mechanical structures of the 482.6 mm (19 in) series

Linkeo cabinets can be integrated in installations complying with the following standards:

<b>EN 50173-1</b>	Information technology - Generic cabling systems
<b>EN 50174-1 &amp; 2 C 90-480-1 &amp; 2</b>	Information technology - Cabling installation
<b>ISO IEC 11801</b>	Information technology - Generic cabling for customer premises
<b>NF C 15-100 Part 4-41</b>	Low voltage electrical installations - recommendations
<b>IEC 60364-4-41</b>	Low voltage electrical installations - Protection for safety - Protection against electric shock

## Dimensions (mm)



### Cabinets with single front door

Cabinet dimensions	Overall dimensions				
	H <sup>(1)</sup>	W	D	A	B
<b>24 U 600 x 600</b>	1226	610	630	1138	1210
<b>24 U 800 x 800</b>		810	830	1525	1610
<b>33 U 600 x 600</b>	1626	610	630	1138	1210
<b>33 U 800 x 800</b>		810	830	1525	1610
<b>42 U 600 x 600</b>	2026	610	630	1138	1210
<b>42 U 600 x 800</b>		610	830	1138	1410
<b>42 U 600 x 1000</b>		610	1030	1138	1610
<b>42 U 800 x 600</b>		810	630	1525	1410
<b>42 U 800 x 800</b>		810	830	1525	1610
<b>42 U 800 x 1000</b>		810	1030	1525	1810
<b>47 U 800 x 800</b>	2248	810	830	1525	1610
<b>47 U 800 x 1000</b>		810	1030	1525	1810

1: Without adjustment levelling feet (+19 to 39 mm with feet)

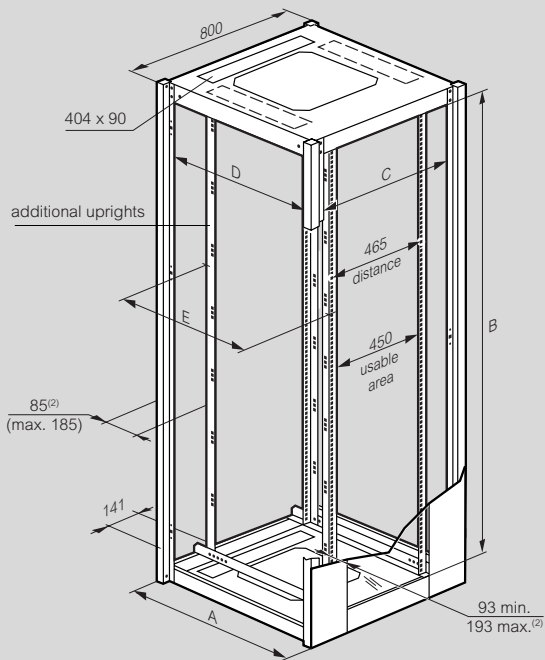
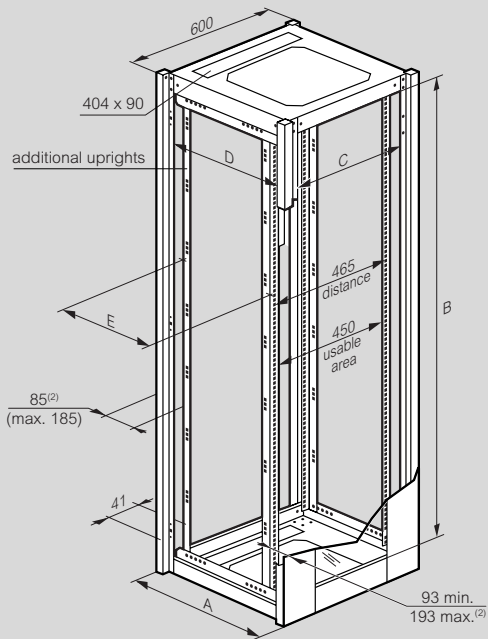
### Cabinets with double front door

Cabinet dimensions	H <sup>(1)</sup>	W	D	A	B
<b>42 U 800 x 600</b>	2026	810	630	1164	1011
<b>42 U 800 x 800</b>			830		1211
<b>42 U 800 x 1000</b>			1030		1411

1: Without adjustment levelling feet (+19 to 39 mm with feet)

# Linkeo 19" freestanding cabinets (continued)

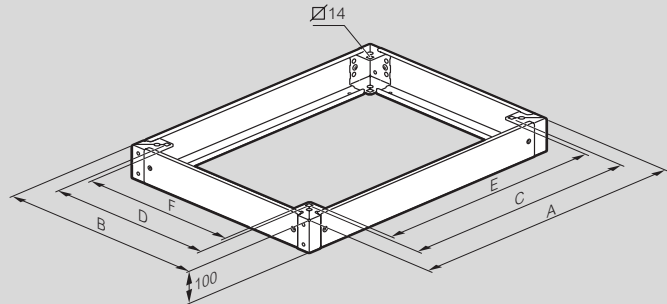
## Usable dimensions (mm)



Cabinet dimensions	A <sup>(1)</sup>	Usable area			E	Glass window Door
		B	C	D		
24 U 600 x 600	630	1081	490	490	425	1073 x 360
24 U 800 x 800	830		690	690	625	1073 x 450
33 U 600 x 600	630	1481	490	490	425	1473 x 360
33 U 800 x 800	830		690	690	625	1473 x 450
42 U 600 x 600	630	1881	490	490	425	1873 x 360
42 U 600 x 800	830			690	625	
42 U 600 x 1000	1030		890	825		
42 U 800 x 600	630		490	425	1873 x 450	
42 U 800 x 800	830		690	625		
42 U 800 x 1000	1030		890	825		
47 U 800 x 800	830	2103	690	690	625	2095 x 450
47 U 800 x 1000	1030		690	890	825	2095 x 450

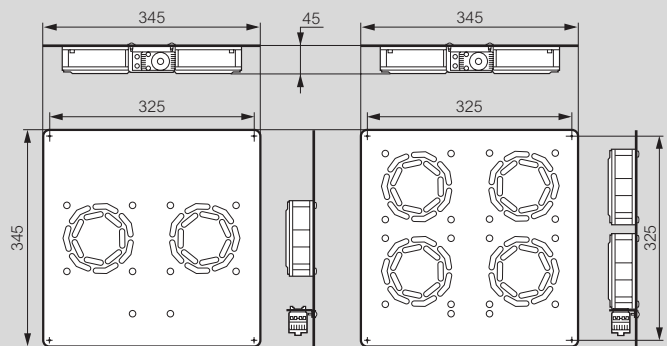
1: Overall dimensions  
2: Can be adjusted in 25 mm steps

## Plinths for Linkeo cabinets (mm)



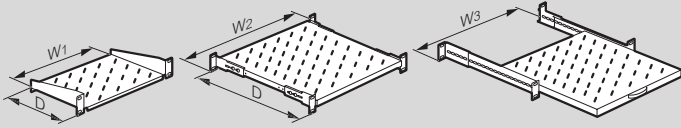
Cabinet dimensions Width x Depth	Overall		Fixing		Usable area	
	A	B	C	D	E	F
600 x 600	599	599	478	478	449	449
600 x 800	599	799	478	678	449	649
600 x 1000	799	599	678	478	649	449
800 x 600	799	799	678	678	649	649
800 x 800	599	999	478	878	449	849
800 x 1000	799	999	678	878	649	849

## Linkeo fan kits (mm)



## Linkeo 19" freestanding cabinets (continued)

### Linkeo shelves (mm)

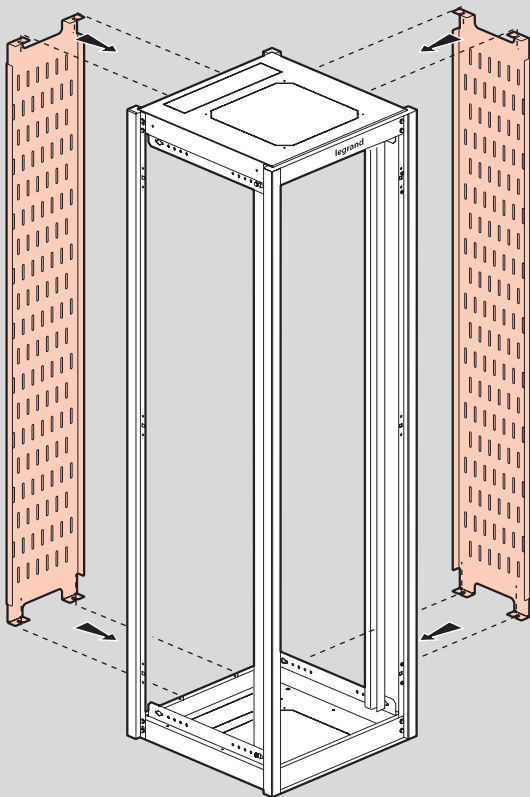


Cat.Nos	D	Usable width		
		W1	W2	W3
6 465 01	200	435		
6 465 02	360	435		
6 465 05	425		440	
6 465 06	625		440	
6 465 07	825		440	
6 465 08	425			410
6 465 09	625			410
6 465 10	825			410

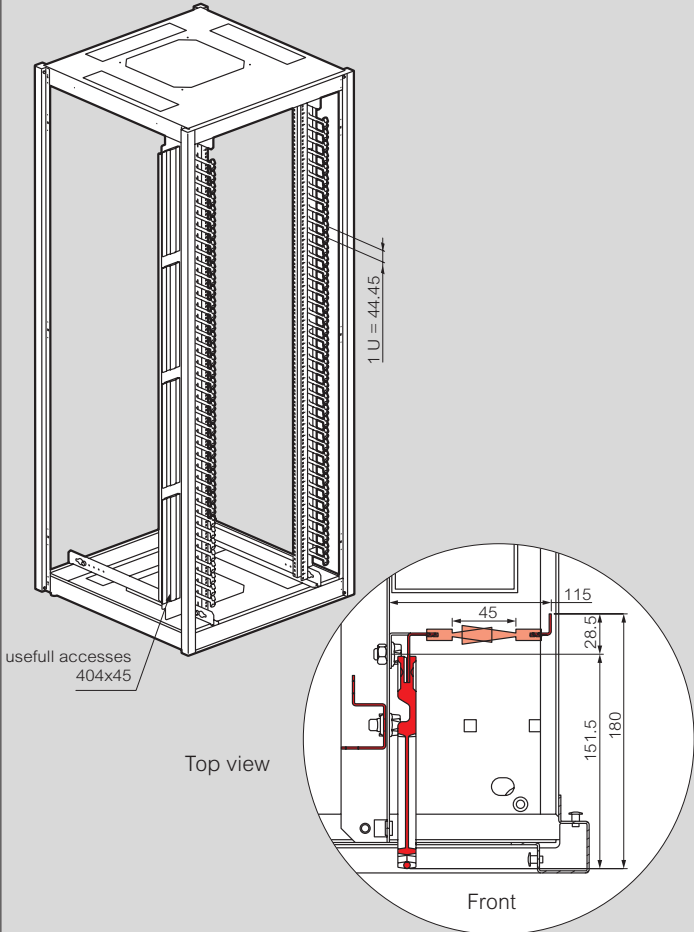
### Linkeo vertical cable guides

33 U guide: 1486 x 300 x 25 mm  
 42 U guide: 1886 x 300 x 25 mm  
 47 U guide: 2105 x 300 x 25 mm

Side mounting

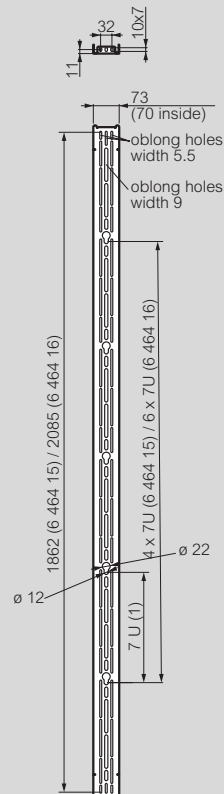


### Vertical cable managers 6 464 26/27

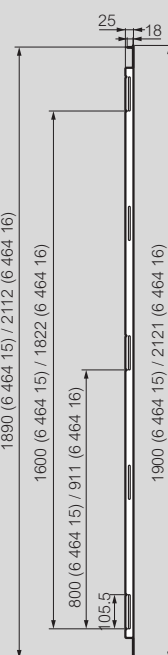


### PDU supports 6 464 15/16 (mm)

Front view



Side view



# Linkeo 19" wall-mounting cabinets

## General characteristics

Metal wall-mounting cabinets  
RAL 7016 textured polyester coating providing excellent resistance to corrosion and scratching  
Safety glass door  
Protection index (weatherproof) against solid objects and liquids: IP 20  
Protection index against mechanical shocks: IK 08  
Perforations in 19" uprights: 9.5 x 9.5 mm  
Permissible load: 3 kg/U

## Compliance with standards

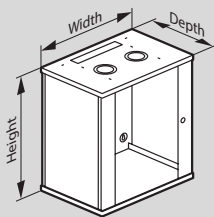
Linkeo cabinets comply with the following standards:

<b>IEC 60529</b> <b>EN 60529</b>	(NF C 20-010) Degrees of protection provided by enclosures (IP code)
<b>IEC 62262</b> <b>EN 62262</b>	(EN 50102, NF C 20-015) Degrees of protection provided by enclosures for electrical equipment against external mechanical impacts (IK code)
<b>IEC 60950-1</b> <b>EN 60950-1</b> <b>C 77-210-1</b>	Safety of data processing equipment
<b>EIA-310-E</b>	Cabinets, racks, panels and associated equipment (ANSI/EIA-310-D-2005)
<b>IEC 60297-3-100</b> <b>DIN 41414-7</b>	(NF C 20-150, NF C 20-151) Dimensions of mechanical structures of the 482.6 mm (19 in) series

Linkeo cabinets can be integrated in installations complying with the following standards:

<b>EN 50173-1</b>	Information technology - Generic cabling systems
<b>EN 50174-1 &amp; 2</b> <b>C 90-480-1 &amp; 2</b>	Information technology - Cabling installation
<b>ISO IEC 11801</b>	Information technology - Generic cabling for customer premises
<b>NF C 15-100</b> <b>Part 4-41</b>	Low voltage electrical installations - Recommendations
<b>UTE C90-483</b>	Residential cabling for communication networks
<b>IEC 60364-4-41</b>	Low voltage electrical installations - Protection for safety - Protection against electric shock

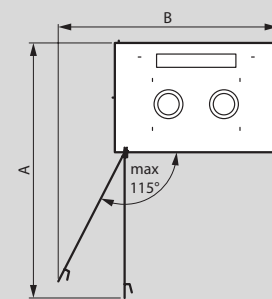
## Dimensions (mm)



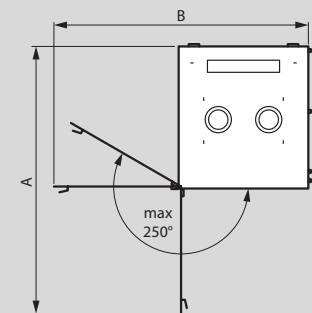
	Cat.Nos	Capacity	Height	Width	Depth			
19" fix cabinet	fix side panels	6 462 00	6 U	358	600	450		
		6 462 01	9 U	492	600	450		
		6 462 02	12 U	625	600	450		
		6 462 03	15 U	758	600	450		
		6 462 04	18 U	892	600	450		
		6 462 05	21 U	1035	600	450		
		6 462 10	6 U	358	600	600		
		6 462 11	9 U	492	600	600		
		6 462 12	12 U	625	600	600		
		6 462 13	15 U	758	600	600		
		6 462 14	18 U	892	600	600		
		6 462 15	21 U	1035	600	600		
		19" fix cabinet	removable side panels	6 462 50	6 U	338	600	450
				6 462 51	9 U	471	600	450
				6 462 52	12 U	604	600	450
6 462 53	15 U			738	600	450		
6 462 54	18 U			871	600	450		
6 462 55	21 U			1004	600	450		
6 462 60	6 U			338	600	600		
6 462 61	9 U			471	600	600		
6 462 62	12 U			604	600	600		
6 462 63	15 U			738	600	600		
6 462 64	18 U			871	600	600		
6 462 65	21 U			1004	600	600		
19" pivoting cabinets	6 462 21			9 U	471	600	610	
	6 462 22			12 U	604	600	610	
	6 462 23			15 U	738	600	610	
	6 462 24	18 U	871	600	610			
	6 462 25	21 U	1004	600	610			
10" fix cabinet	6 462 30	6 U	358	370	300			

## Door opening (mm)

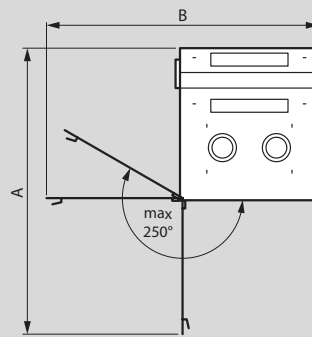
19" fix cabinets with fix side panels Cat.Nos 6 462 00/.../15



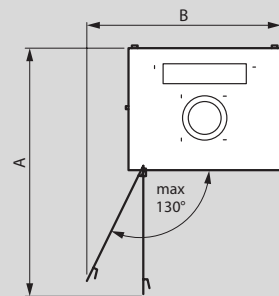
19" fix cabinets with removable side panels Cat.Nos 6 462 50/.../65



19" pivoting cabinets Cat.Nos 6 462 21/.../25



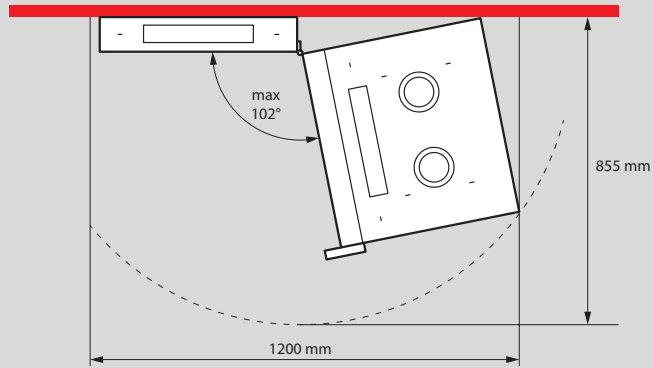
10" cabinet Cat.No 6 462 30



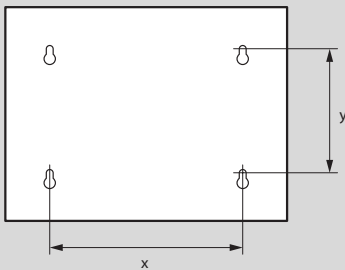
	Cat.Nos	Capacity	A	B			
19" fix cabinet	fix side panels	6 462 00	6 U	930	795		
		6 462 01	9 U	930	795		
		6 462 02	12 U	930	795		
		6 462 03	15 U	930	795		
		6 462 04	18 U	930	795		
		6 462 05	21 U	930	795		
		6 462 10	6 U	1130	795		
		6 462 11	9 U	1130	795		
		6 462 12	12 U	1130	795		
		6 462 13	15 U	1130	795		
		6 462 14	18 U	1130	795		
		6 462 15	21 U	1130	795		
		19" fix cabinet	removable side panels	6 462 50	6 U	985	1080
				6 462 51	9 U	985	1080
				6 462 52	12 U	985	1080
6 462 53	15 U			985	1080		
6 462 54	18 U			985	1080		
6 462 55	21 U			985	1080		
6 462 60	6 U			1135	1080		
6 462 61	9 U			1135	1080		
6 462 62	12 U			1135	1080		
6 462 63	15 U			1135	1080		
6 462 64	18 U			1135	1080		
6 462 65	21 U			1135	1080		
19" pivoting cabinets	6 462 21			9 U	1140	1080	
	6 462 22			12 U	1140	1080	
	6 462 23			15 U	1140	1080	
	6 462 24	18 U	1140	1080			
	6 462 25	21 U	1140	1080			
10" fix cabinet	6 462 30	6 U	600	575			

## Linkeo 19" wall-mounting cabinets

### Pivoting base opening

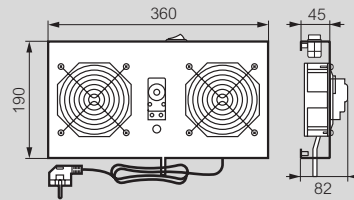


### Fixing (mm)



		Cat.Nos	Capacity	X	Y
19" fix cabinet	fix side panels	6 462 00	6 U	400	197
		6 462 01	9 U	400	300
		6 462 02	12 U	400	464
		6 462 03	15 U	400	597
		6 462 04	18 U	400	730
		6 462 05	21 U	400	864
		6 462 10	6 U	400	197
		6 462 11	9 U	400	330
		6 462 12	12 U	400	464
		6 462 13	15 U	400	597
		6 462 14	18 U	400	730
	6 462 15	21 U	400	864	
	removable side panels	6 462 50	6 U	411	149
		6 462 51	9 U	411	282
		6 462 52	12 U	411	415
		6 462 53	15 U	411	549
		6 462 54	18 U	411	682
		6 462 55	21 U	411	815
		6 462 60	6 U	411	149
		6 462 61	9 U	411	282
		6 462 62	12 U	411	415
6 462 63		15 U	411	549	
19" pivoting cabinets	6 462 21	9 U	350	368	
	6 462 22	12 U	350	501	
	6 462 23	15 U	350	635	
	6 462 24	18 U	350	768	
	6 462 25	21 U	350	901	
10" fix cabinet	6 462 30	6 U	171	197	

### Fan kit (mm)



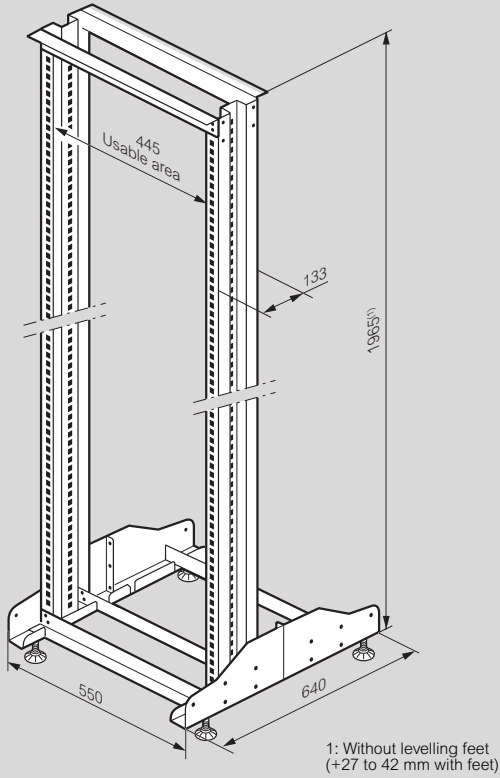
# Bati-rack

## ■ Bati-rack general characteristics

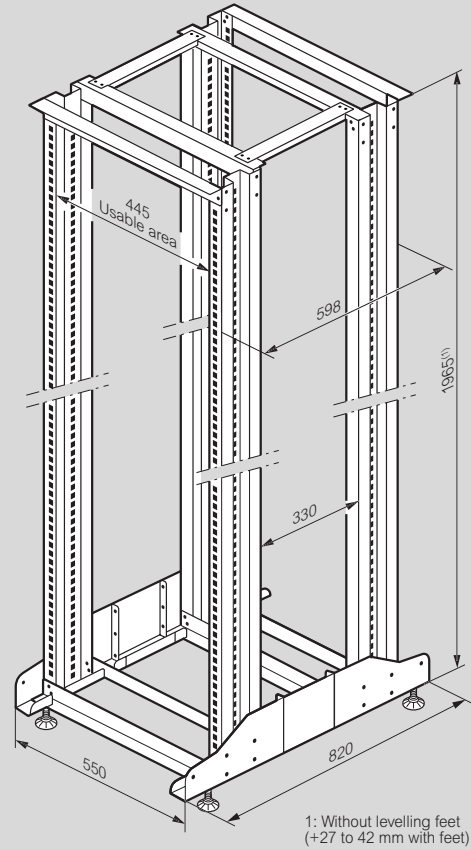
Metal bati-rack  
 RAL 7035 textured polyester coating providing excellent resistance to corrosion and scratching  
 Perforations in 19" uprights: 9.5 x 9.5 mm  
 Permissible load: 300 kg

## ■ Dimensions (mm)

2-upright bati-rack Cat.No 0 463 95






4-upright bati-rack Cat.No 0 463 96





FOLLOW US  
ALSO ON

- @ legrand.com
-  youtube.com/user/legrand
-  facebook.com/Legrand
-  twitter.com/Legrand
-  pinterest.com/legrandgroup
-  instagram.com/legrandnews



**Headquarters**

128, avenue de Lattre de Tassigny  
87045 Limoges Cedex  
France  
Tel.: + 33 (0) 5 55 06 87 87  
Fax: + 33 (0) 5 55 06 88 88